

PLAKA - COUPLERBOX

Coupler jointing system

REF 01.02.01 - Version V02 - 19/04/2021



Description

The connection of two steel rebars can be realized by mean of the Couplerbox jointing system. The assembled system guarantees the nominal resistance of a continuous bar. The bar is provided with a parallel thread at the end of the reinforcement bars. The two bars are connected together by mean of a threaded coupling sleeve. The rolled thread is formed by displacing the material radially outward to form the crests without causing any crack initiation (fatigue). Thread rolling makes the actual section larger and increases the strength and the hardness of the thread.

Application fields

The Couplerbox jointing system can be used for all types of connections between slabs, walls, beams,... It can also be used for slurry walls and diaphragm walls, or to extend bars in a construction work without having to overlap bars. These jointing systems with coupling sleeves can be used in static and dynamic applications.

Properties

Materials and mechanical properties	
Steel quality of the bars φ12, 14, 16, 20, 25, 28, 32 et 40mm	Steel B500B
Steel quality of the coupling sleeves	Steel CK45
Criteria: <ul style="list-style-type: none"> • Strength criterion Following ISO 15835-1 and 2 • Plastic deformation criterion • Creep criterion 	<ul style="list-style-type: none"> • The failure occurs at minimum 95% of the effective strength of the weakest bar of the assembly. • The deformation of the assembly under maximum load is minimum 4%. • After 3 load cycles at 60% of the yield strength and then back to the initial position, the device has a maximum permanent creep ≤ 0,1mm

PLAKA - COUPLERBOX
Coupler jointing system

REF 01.02.01 - Version V02 - 19/04/2021



Dimensions																																						
	Geometry	Standard Length	Code	Code for special length																																		
<p>Type CA</p>	<table border="1"> <tr><td>ϕ [mm]</td></tr> <tr><td>12</td></tr> <tr><td>14</td></tr> <tr><td>16</td></tr> <tr><td>20</td></tr> <tr><td>25</td></tr> <tr><td>28</td></tr> <tr><td>32</td></tr> <tr><td>40</td></tr> </table>	ϕ [mm]	12	14	16	20	25	28	32	40	<table border="1"> <tr><td>L [cm]</td></tr> <tr><td>62</td></tr> <tr><td>72</td></tr> <tr><td>82</td></tr> <tr><td>103</td></tr> <tr><td>128</td></tr> <tr><td>256</td></tr> <tr><td>203</td></tr> <tr><td>404</td></tr> </table>	L [cm]	62	72	82	103	128	256	203	404	<table border="1"> <tr><td>PLCA12060</td></tr> <tr><td>PLCA14070</td></tr> <tr><td>PLCA16080</td></tr> <tr><td>PLCA20100</td></tr> <tr><td>PLCA25125</td></tr> <tr><td>PLCA28253</td></tr> <tr><td>PLCA32200</td></tr> <tr><td>PLCA40400</td></tr> </table>	PLCA12060	PLCA14070	PLCA16080	PLCA20100	PLCA25125	PLCA28253	PLCA32200	PLCA40400	<table border="1"> <tr><td>PLCA12(Lmm)</td></tr> <tr><td>PLCA14(Lmm)</td></tr> <tr><td>PLCA16(Lmm)</td></tr> <tr><td>PLCA20(Lmm)</td></tr> <tr><td>PLCA25(Lmm)</td></tr> <tr><td>PLCA28(Lmm)</td></tr> <tr><td>PLCA32(Lmm)</td></tr> <tr><td>PLCA40(Lmm)</td></tr> </table>	PLCA12(Lmm)	PLCA14(Lmm)	PLCA16(Lmm)	PLCA20(Lmm)	PLCA25(Lmm)	PLCA28(Lmm)	PLCA32(Lmm)	PLCA40(Lmm)
	ϕ [mm]																																					
	12																																					
	14																																					
	16																																					
	20																																					
	25																																					
	28																																					
	32																																					
40																																						
L [cm]																																						
62																																						
72																																						
82																																						
103																																						
128																																						
256																																						
203																																						
404																																						
PLCA12060																																						
PLCA14070																																						
PLCA16080																																						
PLCA20100																																						
PLCA25125																																						
PLCA28253																																						
PLCA32200																																						
PLCA40400																																						
PLCA12(Lmm)																																						
PLCA14(Lmm)																																						
PLCA16(Lmm)																																						
PLCA20(Lmm)																																						
PLCA25(Lmm)																																						
PLCA28(Lmm)																																						
PLCA32(Lmm)																																						
PLCA40(Lmm)																																						
<p>Type CR</p>	<table border="1"> <tr><td>ϕ mm</td></tr> <tr><td>12</td></tr> <tr><td>14</td></tr> <tr><td>16</td></tr> <tr><td>20</td></tr> <tr><td>25</td></tr> <tr><td>28</td></tr> <tr><td>32</td></tr> <tr><td>40</td></tr> </table>	ϕ mm	12	14	16	20	25	28	32	40	<table border="1"> <tr><td>L cm</td></tr> <tr><td>60</td></tr> <tr><td>70</td></tr> <tr><td>80</td></tr> <tr><td>100</td></tr> <tr><td>125</td></tr> <tr><td>253</td></tr> <tr><td>200</td></tr> <tr><td>400</td></tr> </table>	L cm	60	70	80	100	125	253	200	400	<table border="1"> <tr><td>PLCR12060</td></tr> <tr><td>PLCR14070</td></tr> <tr><td>PLCR16080</td></tr> <tr><td>PLCR20100</td></tr> <tr><td>PLCR25125</td></tr> <tr><td>PLCR28253</td></tr> <tr><td>PLCR32200</td></tr> <tr><td>PLCR40400</td></tr> </table>	PLCR12060	PLCR14070	PLCR16080	PLCR20100	PLCR25125	PLCR28253	PLCR32200	PLCR40400	<table border="1"> <tr><td>PLCR12(Lmm)</td></tr> <tr><td>PLCR14(Lmm)</td></tr> <tr><td>PLCR16(Lmm)</td></tr> <tr><td>PLCR20(Lmm)</td></tr> <tr><td>PLCR25(Lmm)</td></tr> <tr><td>PLCR28(Lmm)</td></tr> <tr><td>PLCR32(Lmm)</td></tr> <tr><td>PLCR40(Lmm)</td></tr> </table>	PLCR12(Lmm)	PLCR14(Lmm)	PLCR16(Lmm)	PLCR20(Lmm)	PLCR25(Lmm)	PLCR28(Lmm)	PLCR32(Lmm)	PLCR40(Lmm)
	ϕ mm																																					
	12																																					
	14																																					
	16																																					
	20																																					
	25																																					
	28																																					
	32																																					
40																																						
L cm																																						
60																																						
70																																						
80																																						
100																																						
125																																						
253																																						
200																																						
400																																						
PLCR12060																																						
PLCR14070																																						
PLCR16080																																						
PLCR20100																																						
PLCR25125																																						
PLCR28253																																						
PLCR32200																																						
PLCR40400																																						
PLCR12(Lmm)																																						
PLCR14(Lmm)																																						
PLCR16(Lmm)																																						
PLCR20(Lmm)																																						
PLCR25(Lmm)																																						
PLCR28(Lmm)																																						
PLCR32(Lmm)																																						
PLCR40(Lmm)																																						
<p>Type CAM</p>	<table border="1"> <tr><td>ϕ mm</td></tr> <tr><td>12</td></tr> <tr><td>14</td></tr> <tr><td>16</td></tr> <tr><td>20</td></tr> <tr><td>25</td></tr> <tr><td>28</td></tr> <tr><td>32</td></tr> <tr><td>40</td></tr> </table>	ϕ mm	12	14	16	20	25	28	32	40	<table border="1"> <tr><td>L cm</td></tr> <tr><td>/</td></tr> <tr><td>/</td></tr> <tr><td>/</td></tr> <tr><td>/</td></tr> <tr><td>/</td></tr> <tr><td>/</td></tr> <tr><td>/</td></tr> <tr><td>/</td></tr> </table>	L cm	/	/	/	/	/	/	/	/	<table border="1"> <tr><td>/</td></tr> <tr><td>/</td></tr> <tr><td>/</td></tr> <tr><td>/</td></tr> <tr><td>/</td></tr> <tr><td>/</td></tr> <tr><td>/</td></tr> <tr><td>/</td></tr> </table>	/	/	/	/	/	/	/	/	<table border="1"> <tr><td>PLCAM12(Lmm)</td></tr> <tr><td>PLCAM14(Lmm)</td></tr> <tr><td>PLCAM16(Lmm)</td></tr> <tr><td>PLCAM20(Lmm)</td></tr> <tr><td>PLCAM25(Lmm)</td></tr> <tr><td>PLCAM28(Lmm)</td></tr> <tr><td>PLCAM32(Lmm)</td></tr> <tr><td>PLCAM40(Lmm)</td></tr> </table>	PLCAM12(Lmm)	PLCAM14(Lmm)	PLCAM16(Lmm)	PLCAM20(Lmm)	PLCAM25(Lmm)	PLCAM28(Lmm)	PLCAM32(Lmm)	PLCAM40(Lmm)
	ϕ mm																																					
	12																																					
	14																																					
	16																																					
	20																																					
	25																																					
	28																																					
	32																																					
40																																						
L cm																																						
/																																						
/																																						
/																																						
/																																						
/																																						
/																																						
/																																						
/																																						
/																																						
/																																						
/																																						
/																																						
/																																						
/																																						
/																																						
/																																						
PLCAM12(Lmm)																																						
PLCAM14(Lmm)																																						
PLCAM16(Lmm)																																						
PLCAM20(Lmm)																																						
PLCAM25(Lmm)																																						
PLCAM28(Lmm)																																						
PLCAM32(Lmm)																																						
PLCAM40(Lmm)																																						

©Copyright protected

This sheet, written with great care, supersedes all previous versions. The technical information on the design, models, illustrations, design values and specifications are believed to be accurate. PLAKA makes no warranties (expressed or implied) as to its accuracy and assumes no liability in connection with non suitable use of this product. We reserve the right to modify the contents of this form without prior notice.

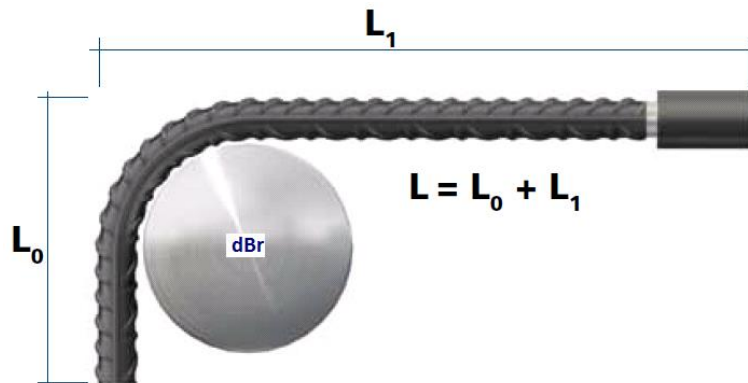
PLAKA - COUPLERBOX
Coupler jointing system

REF 01.02.01 - Version V02 - 19/04/2021



	Geometry	Code	Code for special length																										
<p>Type CAF</p>	<table border="1"> <tr><th>ϕ [mm]</th></tr> <tr><td>12</td></tr> <tr><td>14</td></tr> <tr><td>16</td></tr> <tr><td>20</td></tr> <tr><td>25</td></tr> <tr><td>28</td></tr> <tr><td>32</td></tr> <tr><td>40</td></tr> </table>	ϕ [mm]	12	14	16	20	25	28	32	40	<table border="1"> <tr><td>/</td></tr> <tr><td>/</td></tr> <tr><td>/</td></tr> <tr><td>/</td></tr> <tr><td>/</td></tr> <tr><td>/</td></tr> <tr><td>/</td></tr> <tr><td>/</td></tr> <tr><td>/</td></tr> </table>	/	/	/	/	/	/	/	/	/	<table border="1"> <tr><td>PLCAF12(Lmm)</td></tr> <tr><td>PLCAF14(Lmm)</td></tr> <tr><td>PLCAF16(Lmm)</td></tr> <tr><td>PLCAF20(Lmm)</td></tr> <tr><td>PLCAF25(Lmm)</td></tr> <tr><td>PLCAF28(Lmm)</td></tr> <tr><td>PLCAF32(Lmm)</td></tr> <tr><td>PLCAF40(Lmm)</td></tr> </table>	PLCAF12(Lmm)	PLCAF14(Lmm)	PLCAF16(Lmm)	PLCAF20(Lmm)	PLCAF25(Lmm)	PLCAF28(Lmm)	PLCAF32(Lmm)	PLCAF40(Lmm)
	ϕ [mm]																												
	12																												
	14																												
	16																												
	20																												
	25																												
	28																												
	32																												
40																													
/																													
/																													
/																													
/																													
/																													
/																													
/																													
/																													
/																													
PLCAF12(Lmm)																													
PLCAF14(Lmm)																													
PLCAF16(Lmm)																													
PLCAF20(Lmm)																													
PLCAF25(Lmm)																													
PLCAF28(Lmm)																													
PLCAF32(Lmm)																													
PLCAF40(Lmm)																													

Dimensions - Type CAC



Bar diameter [mm]	dBr *	$L_1 min^{**}$ [mm]	$L_0 min^{**}$ [mm]	Reference code for special lengths []
12	100	140	210	PLCAC12(Lmm)
14	100	150	210	PLCAC14(Lmm)
16	100	180	210	PLCAC16(Lmm)
20	150	210	260	PLCAC20(Lmm)
25	200	260	300	PLCAC25(Lmm)
28	200	260	300	PLCAC28(Lmm)
32	250	300	300	PLCAC32(Lmm)
40	300	410	400	PLCAC40(Lmm)

* Other bending diameters are possible.

** Coupler type CAC is folded consistently with abovementioned folding mandrels with diameter dBr. This results in a minimum length $L_1 min$ and $L_0 min$.

©Copyright protected

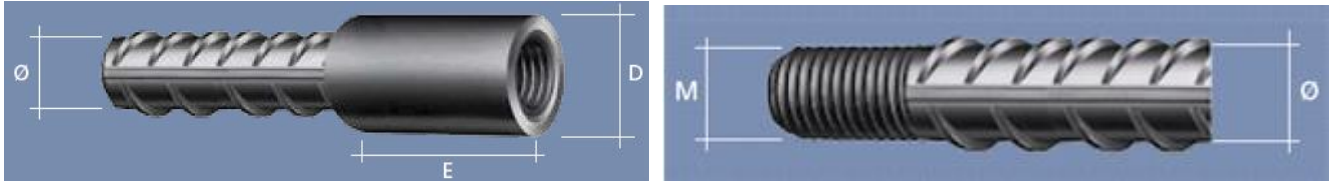
This sheet, written with great care, supersedes all previous versions. The technical information on the design, models, illustrations, design values and specifications are believed to be accurate. PLAKA makes no warranties (expressed or implied) as to its accuracy and assumes no liability in connection with non suitable use of this product. We reserve the right to modify the contents of this form without prior notice.

PLAKA - COUPLERBOX
Coupler jointing system

REF 01.02.01 - Version V02 - 19/04/2021



Dimensions Coupler

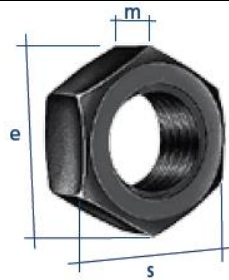


Diameter [mm]	D [mm]	E [mm]	Thread []	Coupler Weight [kg]	Tightening torque* [Nm]	Length of the adapted wrench** [cm]
12	22	43	M13 x 1,75	0,09	60	20
14	22	47	M15 x 2	0,09	100	30
16	32	47	M17 x 2	0,22	100	30
20	32	55	M21 x 2,5	0,22	200	60
25	40	64	M26 x 3	0,39	250	80
28	45	69	M29 x 3	0,53	280	80
32	50	80	M33 x 3,5	0,73	280	80
40	60	110	M41 x 4	1,46	340	100

* The tightening torque must only be applied to the 2nd phase bar.

** The tightening torque is reached with a 35kg force, applied when using a well-adapted wrench. For higher safety make usage of a torque wrench.

Dimensions Couplerbox screw nut



Metric []	s [mm]	e [mm]	m [mm]	Code []
M13	19	22	11	NIE13
M15	22	25	12	NIE15
M17	24	28	13	NIE17
M21	30	34	14	NIE21
M26	36	41	19	NIE26
M29	41	47	22	NIE29
M33	50	57	25	EEE33B
M41	59	68	32	NIE41

©Copyright protected

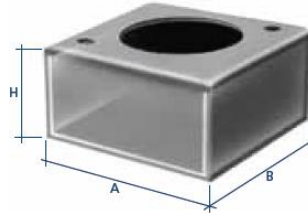
This sheet, written with great care, supersedes all previous versions. The technical information on the design, models, illustrations, design values and specifications are believed to be accurate. PLAKA makes no warranties (expressed or implied) as to its accuracy and assumes no liability in connection with non suitable use of this product. We reserve the right to modify the contents of this form without prior notice.

PLAKA - COUPLERBOX
Coupler jointing system

REF 01.02.01 - Version V02 - 19/04/2021

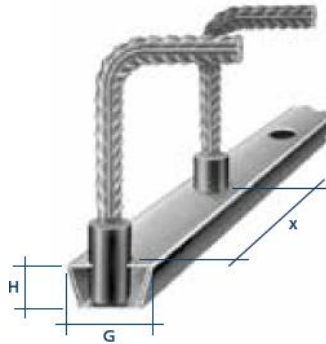


Dimensions Monobox



ϕ bar [mm]	A x B [mm x mm]	H [mm]	Weight [kg]	Code []
12	70 x 70	25	0,08	PLCBOXS12
14	70 x 70	25	0,08	PLCBOXS12
16	70 x 70	25	0,08	PLCBOXS16
20	70 x 70	25	0,08	PLCBOXS16
25	70 x 70	25	0,08	PLCBOXS25
28	70 x 70	25	0,07	PLCBOXS28
32	70 x 70	25	0,07	PLCBOXS32
40	70 x 70	25	0,07	PLCBOXS40
Cover				
12-40	70 x 70	20	0,02	PLCBOXVPM

Dimensions Multibox (Length = 1,2m)



ϕ bar [mm]	G [mm]	H [mm]	Weight (cover included) [kg/1]	Reference code []
12	60	28	0,50	PLCBOX12...**
14	60	28	0,50	PLCBOX12...**
16	60	28	0,50	PLCBOX16...**
20	60	28	0,50	PLCBOX16...**
25	60	28	0,50	PLCBOX25...**
28	60	28	0,50	PLCBOX28...**
32	60	28	0,50	PLCBOX32...**
40	90	28	0,50	PLCBOX40...**

* ... = centre distance holes [mm] (x = 100, 150 or 200mm)


©Copyright protected

This sheet, written with great care, supersedes all previous versions. The technical information on the design, models, illustrations, design values and specifications are believed to be accurate. PLAKA makes no warranties (expressed or implied) as to its accuracy and assumes no liability in connection with non suitable use of this product. We reserve the right to modify the contents of this form without prior notice.

PLAKA - COUPLERBOX
Coupler jointing system

REF 01.02.01 - Version V02 - 19/04/2021



ACCESSORY	Torque wrench		Reference code
	Diameter 12-32mm	φ12-32mm	EEMOM2
	Diameter 40mm	φ 40mm	EEMOM1

©Copyright protected

This sheet, written with great care, supersedes all previous versions. The technical information on the design, models, illustrations, design values and specifications are believed to be accurate. PLAKA makes no warranties (expressed or implied) as to its accuracy and assumes no liability in connection with non suitable use of this product. We reserve the right to modify the contents of this form without prior notice.